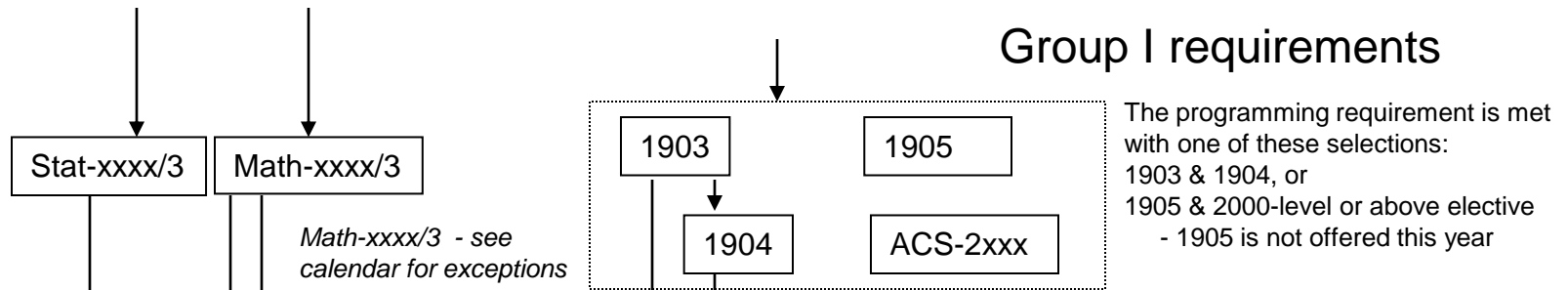
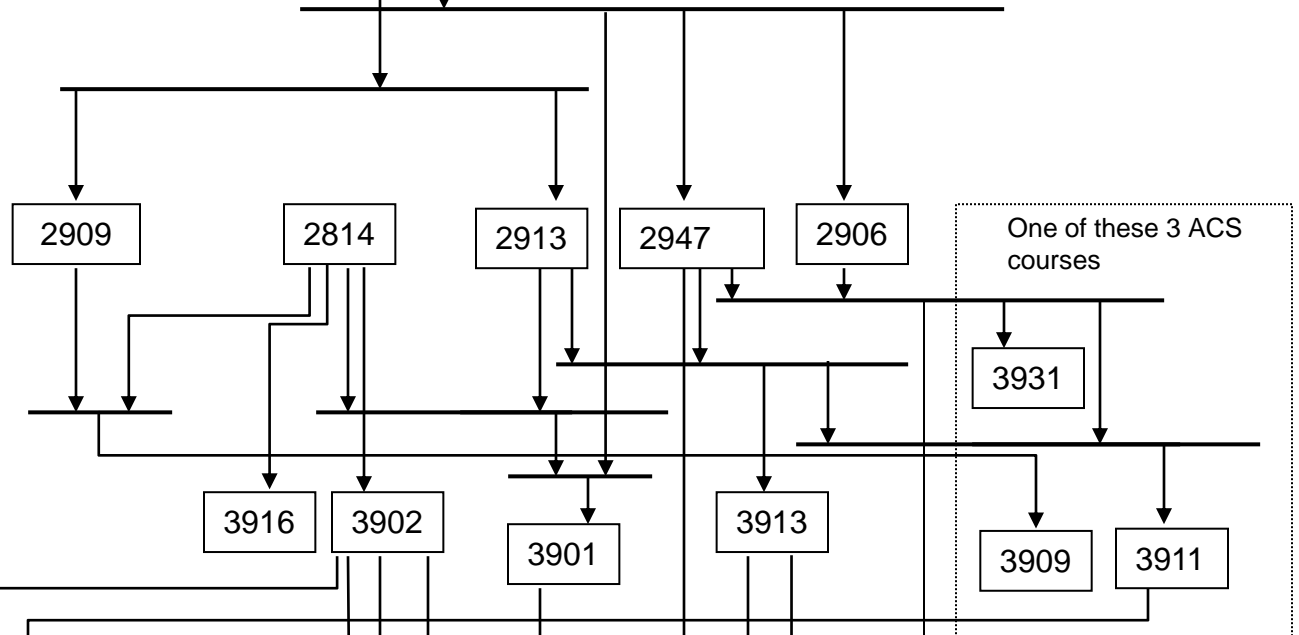


Group I requirements

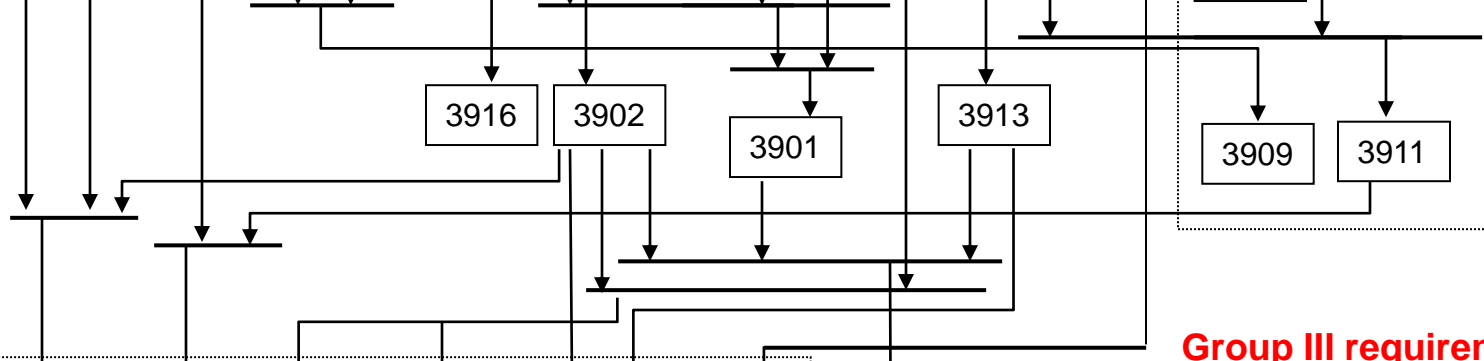
1<sup>st</sup> year



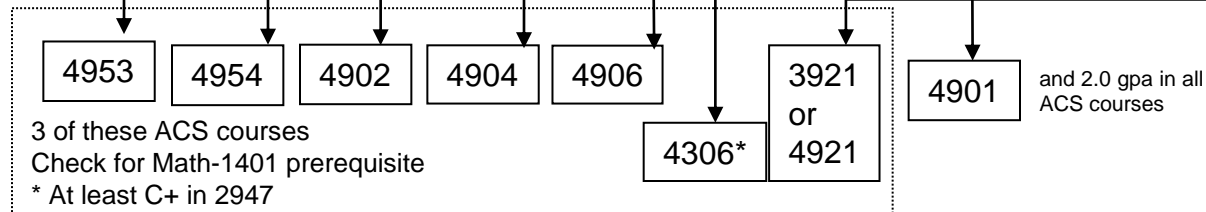
2<sup>nd</sup> year



3<sup>rd</sup> year



4<sup>th</sup> year



**Group III requirement:**

**18 credit hours that fulfill the University's Science Requirement**