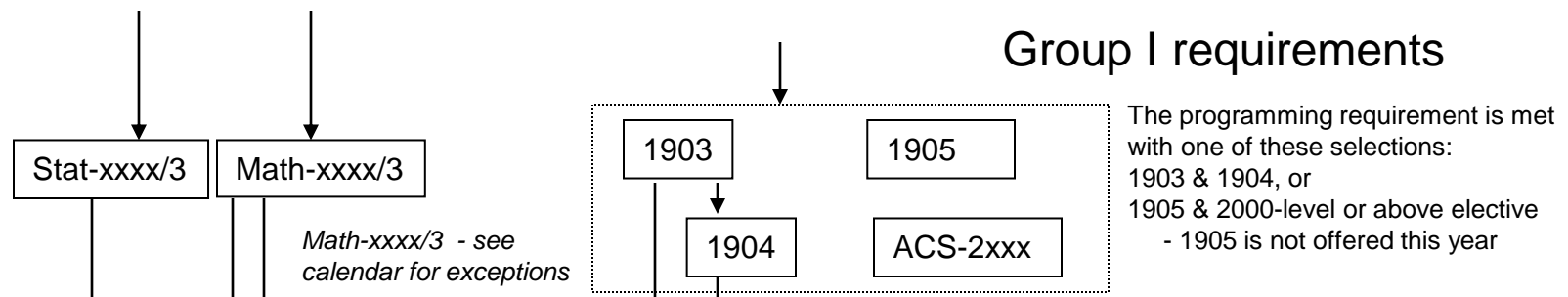
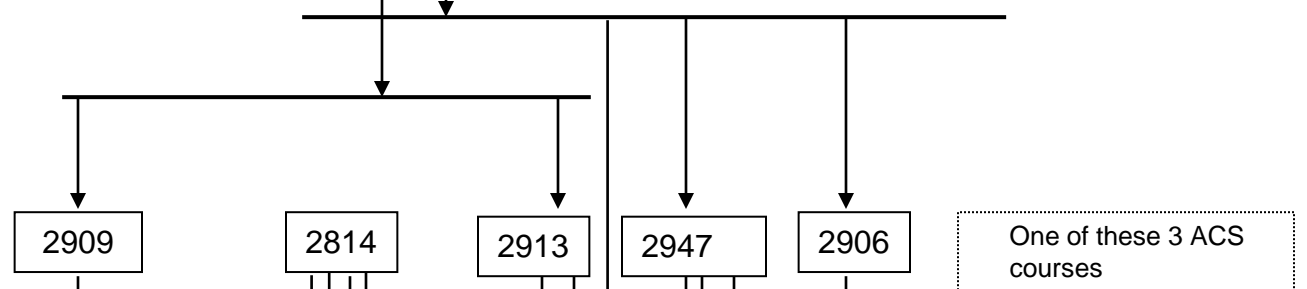


Group I requirements

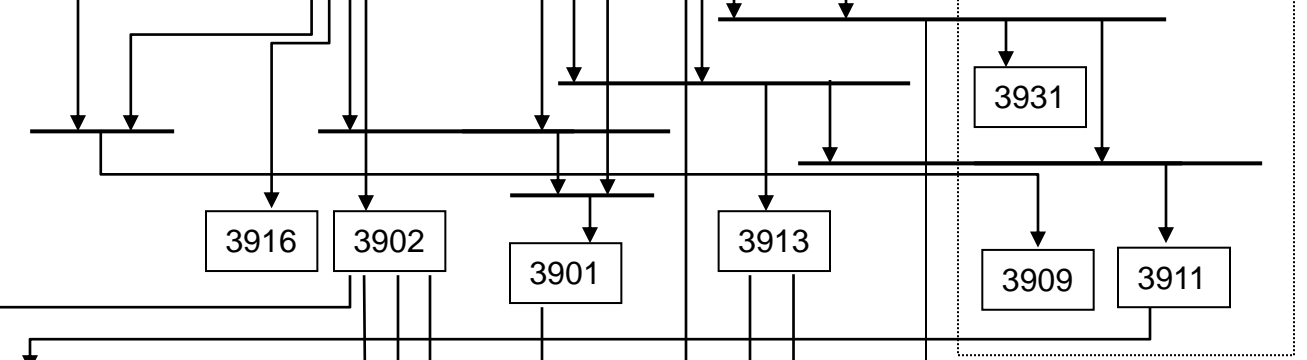
1st year



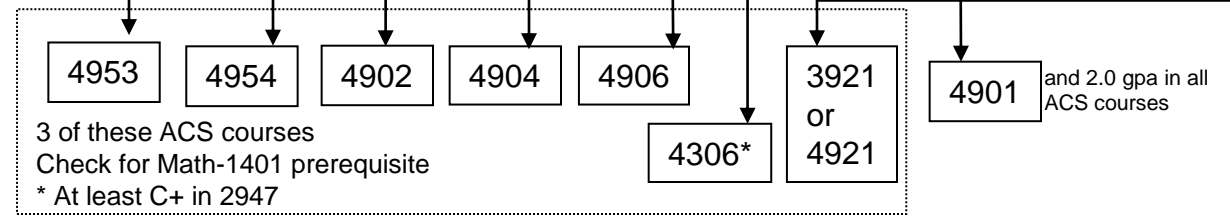
2nd year



3rd year



4th year



Group III requirement:

18 credit hours that fulfill the University's Science Requirement